

CL Challenger Lifts

Versymmetric®
Plus

2 Lifts
in **One**™



Model#: CL10V3

Versymmetric® Plus 2-Post Lift
Offset 3-stage front + 3-stage rear arms
10,000 lb. capacity
(shown with optional accessories)

CL10series

Service more vehicles and make more money with the CL10series two post auto lifts. Its exclusive Versymmetric® Technology provides the versatility to safely lift vehicles symmetrically or asymmetrically within the same service bay.

With standard directSPOT™ arm design and three Versymmetric® productivity configurations - Max Plus Productivity and Maximum Productivity adjustable height and width options, and custom color options, CL10series two post automotive lifts are the best choice for professional service facilities.

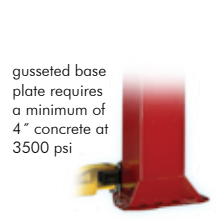
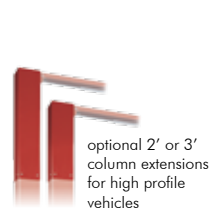
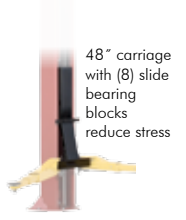
Other standard features include double telescoping screw pads, Heavy-Duty pulley and cable equalization system, elongated carriage, rubber door guards, adjustable arm restraint shafts, single point mechanical lock release and padded overhead shut off system.

Features & Benefits:

- Exclusive **Versymmetric® Technology** provides a versatile **2 Lifts in One™** Design to safely lift vehicles symmetrically or asymmetrically within the same service bay
- Standard offset arm design provides **directSPOT™** to vehicle's front lifting points for built-in productivity
- CL10 series two post lifts available in three **Versymmetric®** Productivity Configurations:
 - » **Max Plus Productivity** (CL10V3DPC) - Dual Pendant Power Controls, Stack Adapter Kit and Document Caddy with Versymmetric® Plus offset 3-stage front + 3-stage rear arms
 - » **Maximum Productivity** (CL10V3) - Conventional Power Controls, Versymmetric® Plus offset 3-stage front + 3-stage rear arms
- Adjustable arm restraint shafts compensate for uneven floors
- Grease fittings located on arm pin bushings minimize corrosion to keep arms swinging freely
- Double telescoping screw pads adjust from 3-7/8" to 7-1/8" reducing the need for adapters
- Rubber door guards protect vehicles from door damage when accessing driver controls
- 48" elongated carriage design decreases load on bearing
- Heavy-Duty 5" diameter pulley and 5/16" cable reduces stress on equalization system and increases cable life
- Fully gusseted base plate design reduces column deflection
- 11' 8" standard height allows lift to be placed in standard service bay with 12' ceiling
- Available 2' and 3' column extensions enable technician to work at an ergonomic height when servicing taller vehicles
- Padded overhead shut off system prevents vehicle damage from being raised too high
- Single-point mechanical lock release system allows technician to disengage both column locks simultaneously
- Many accessories available - reference the Challenger Lifts Versymmetric® 2-Post Accessories sheet for details



Scan with your Smart phone to watch Versymmetric® Technology in action



A simple way to increase the rise and descent speed of your Challenger Lifts!

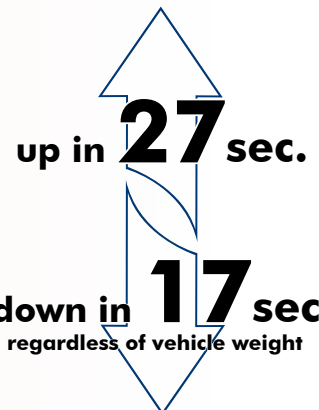


How do we achieve accelerated lifting?

We have increased the motor and pump size which provides a faster rise and descent. These components increase the rise of speed from 48 seconds to **27 seconds** equating to a 42% time savings.

Lowering speed is held to a constant **17 seconds** (approximately) regardless of the weight of the vehicle.

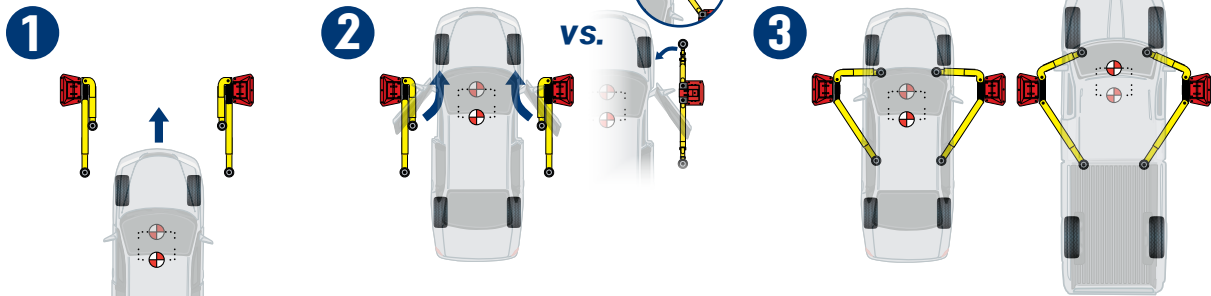
Increasing revenue potential just got **FASTER!**



2X
FASTER than standard models

Built-in Pr

directSPOT™ is Built-in Productivity



CL10series comes standard with offset 3-stage front arms allowing them to be stowed in an asymmetric lifting position, rear of the front tires. Unlike many competitor lifts, when the vehicle is driven through, the front arms are capable of **directSPOT™** to the vehicle's lifting point without having to reposition the vehicle or shuffle back and forth to reach its recommended lift points.

Power Control Configurations



CL10V3 – Conventional Controls:

- » Single push button powers lift up
- » Two handed lowering operation - single point mechanical lock release / release valve
- » Single point mechanical lock release system disengages both column locks simultaneously



CL10V3–DPC:

- » Always within technician reach when small spotting adjustments matter, dual pendant power controls expedites vehicle spotting by providing an unobstructed view to lifting points
- » Up/Down power button + dual single-point technical lock release system provides lift operation from either column
- » OSHA compliant keyed lockout safety button

Versymmetric®
Plus

Arm Configurations

CL10V3 / CL10V3–DPC:

- » Industry first two post lift with **directSPOT™** offset 3-stage front arms *plus* 3-stage rear arms for single sweep spotting - no rolling vehicles back and forth to swing front arm clear of front tire
- » Maximum arm sweep, reach and retraction meets the widest range of recommended lifting points

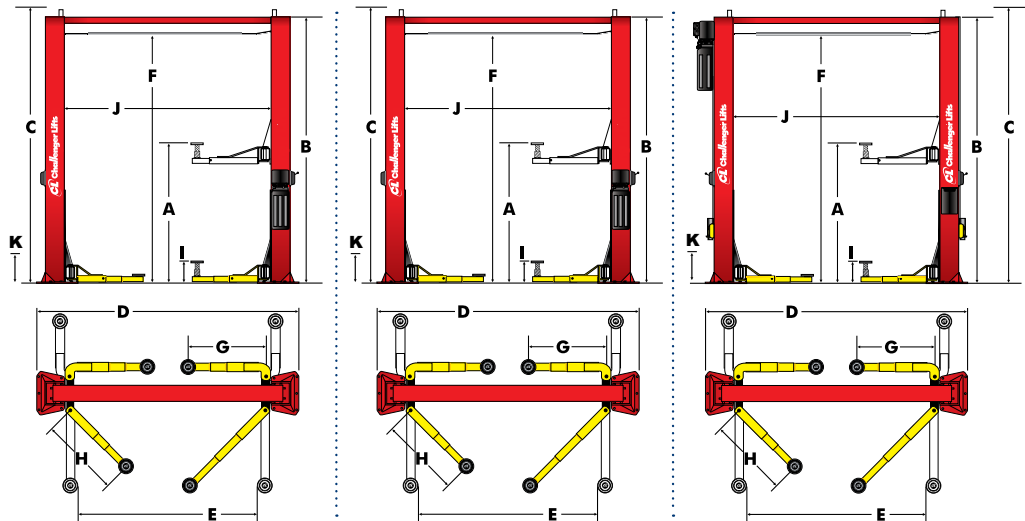


Model Number	CL10V3	CL10V3-2	CL10V3-3	CL10V3-0C	CL10V3-20C	CL10V3-30C	CL10V3-DPC	CL10V3-2-DPC	CL10V3-3-DPC
Lifting Capacity*	10,000 lb. (4535kg)								
A Rise Height ¹	74 1/8" (1908mm)								
B Column Height	11' 8" (3556mm)	13' 8" (4166mm)	14' 8" (4470mm)	11' 8" (3556mm)	13' 8" (4166mm)	14' 8" (4470mm)	11' 8" (3556mm)	13' 8" (4166mm)	14' 8" (4470mm)
C Cylinder Overall (Full Stroke)	11' 11" (3632mm)								
D Adjustable Width Overall	11' 6 1/2" / 11' 11" (3518mm / 3632mm)								
E Drive-Thru Clearance ²	100" / 104 1/2" (2540mm / 2654mm)								
F Floor to Overhead Switch ²	134 1/2" (3416mm)	158 1/2" (4026mm)	170 1/2" (4331mm)	134 1/2" (3416mm)	158 1/2" (4026mm)	170 1/2" (4331mm)	134 1/2" (3416mm)	158 1/2" (4026mm)	170 1/2" (4331mm)
G Front Arm Reach (Min./Max.)	Min. 19 13/16" / Max. 42" (503mm / 1067mm)								
H Rear Arm Reach (Min./Max.)	Min. 37 5/8" / Max. 60" (956mm / 1524mm)								
I Screw Pad Height ³	Min. 3 7/8" - Max. 6 1/8" (98mm / 156mm)								
J Inside Columns ²	110" / 114 1/2" (2794mm / 2908mm)								
K Low Lock Height	12" (305mm) Net Rise								
Motor	2HP			3HP			2HP		
Voltage	208v-230v (Single Phase Std.) ⁴								
Speed of Rise	48 Sec.			27 Sec. (approximate)			48 Sec.		
Max. Load Per Arm	2,500 lb. (1134kg)								
Ceiling Height Required	12' (3658mm)	13' 9" (4191mm)	14' 9" (4496mm)	12' (3658mm)	13' 9" (4191mm)	14' 9" (4496mm)	12' (3658mm)	13' 9" (4191mm)	14' 9" (4496mm)

*Lifting capacity ratings are based on loads equally distributed on all four arms. ¹ Rise height is measured with adjustable screw pads in highest position. ² Specifications are listed with lift at maximum width and/or height settings. ³ Specifications are listed without rubber pad, for measurements with rubber pad add 1/4" (6mm). ⁴ Optional 3 phase electrical also available, please specify at time of order. † Optional frame engaging adapter (**10314** or **10318**) are **REQUIRED** when lifting vehicles with frame construction. Standard lift colors are Red and Blue. Optional colors available



Optional † **10318** frame engaging truck adapters can be used with 3" or 6" adapters. Simply take out the screw pad and drop in the stack extension and frame engaging adapter.



For more information, contact your Authorized Challenger Lifts Distributor:

The Automotive Lift Institute (ALI) certifies that the CL10series described herein complies with the applicable provisions of the American National Standards ANSI/ALI ALCTV 2006 and is Third Party Validated by the ETL Testing Laboratory.



Challenger Lifts, Inc. reserves the right to make changes to specifications without notice and without making changes retroactive. Unloading, installation and oil not included.

CHALLENGER LIFTS, INC.
200 Cabel Street
Louisville, Kentucky 40206

Phone Toll-Free: 800-648-5438
502-625-0700
Fax: 502-625-0711
E-mail: sales@challengerylifts.com